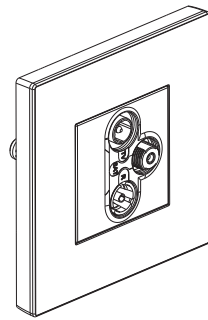


Galion™ TV - R- SAT

Cat. No(s): 2 824 59/59m



2 824 59/59m

CONTENTS

1. Use.....	1
2. Range.....	1
3. Preparation.....	1
4. Overall dimensions.....	1
5. Connection.....	1
6. Technical characteristics.....	2
7. Cleaning.....	2
8. Conformity - Approvals.....	2

1. USE

TV/R/SAT: for receiving TV, radio and satellite signals.
UHD (ultra high definition) compatible.
Class A shielded star sockets LTE Ready (4G protected).
Recommended coaxial cable 17/19 VATC.
Single cable entry.
(Supplied with M3.5 screws for BS boxes. Flush mounting or surface mounting.)

2. RANGE

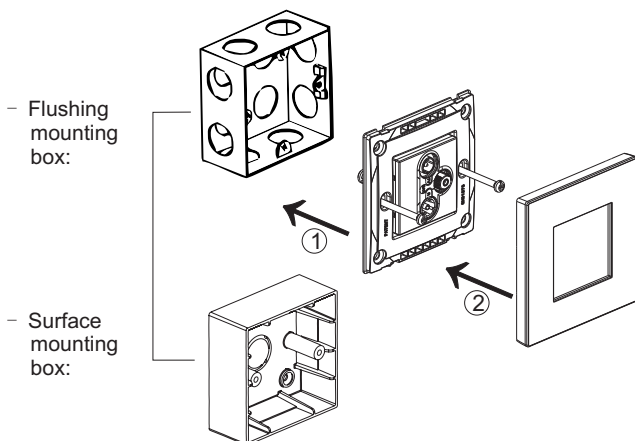
	Designation	Cat. No.	Weight (g)	Characteristics
	TV - R- SAT	2 824 59/59m	60.1	

Colours

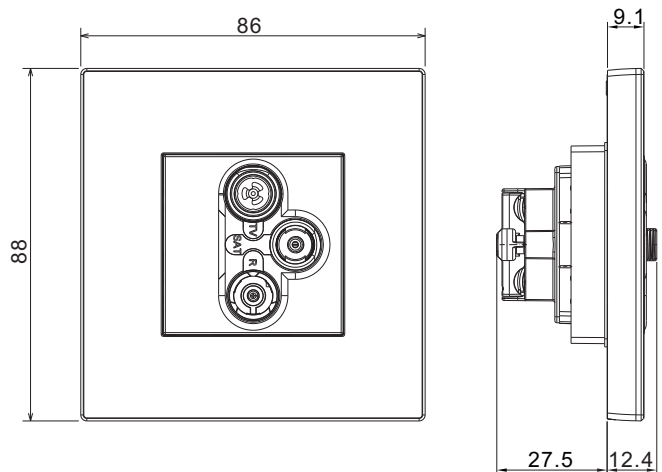
- Front: white/rose golden/champagne/dark silver
- Rear: white/rose golden/champagne/dark silver
- X XXX XX White
- X XXX XX-C Matt black
- X XXX XX-C1 Rose golden
- X XXX XX-C2 Champagne
- X XXX XX-C3 Dark silver

3. PREPARATION

3.1 General preparation



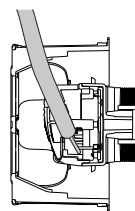
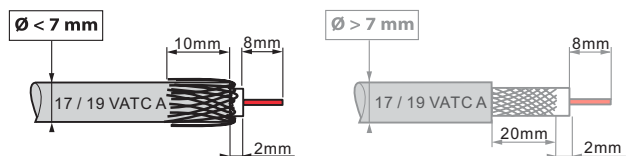
4. OVERALL DIMENSIONS



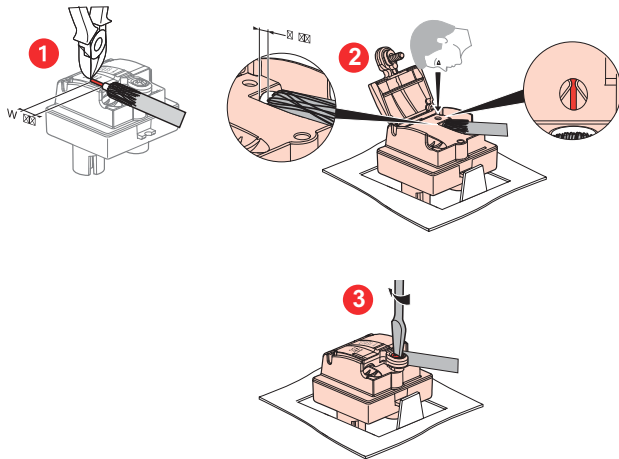
Profile Size: 86×88 mm
Distance of installation hole: 60.3 mm
Minimum depth of the box>35mm

5. CONNECTION

5.1 Wiring



By restricting deformation of the coaxial cable, the rear connection avoids impedance discontinuity, thereby sustaining performance.



6. TECHNICAL CHARACTERISTICS

6.1 Material characteristics

Cover: ABS
Plate: Polycarbonate
Frame: Polycarbonate
Self-extinguishing:
+ 850° C / 30 s for insulating parts holding live parts in place
+ 650° C / 30 s for other parts made of insulating materials

6.2 Electrical characteristic

- Male connector Φ 9.52 mm (TV)
- Female connector (Radio)
- Female F screw-type connector (SAT)
Characteristic impedance: 75 ohm
Class A shielding efficiency (class A shielding is necessary to prevent interference caused by using new 3 and 4 G phone signals, as these unwanted signals can result in pixellation on screen or adversely affect the sound track).
Frequency bands: TV: 5-68 / 120-862 MHz
R: 87.5-108 MHz
SAT: 950-2400 MHz
Attenuation : < 1.5 dB maximum

6.3 Climatic characteristics

Storage temperatures: -10°C to +70°C
Operating temperatures: -5°C to +50°C

6.4 Mechanical characteristics

Impact test: IK04
Protection against liquids: Ip20

7. CLEANING

Surface cleaning with a soft, slightly damp cloth.
Do not use: acetone, tar remover, trichloroethylene

8. CONFORMITY – APPROVALS

Compliant with installation and manufacturing standards.
See e-catalogue.